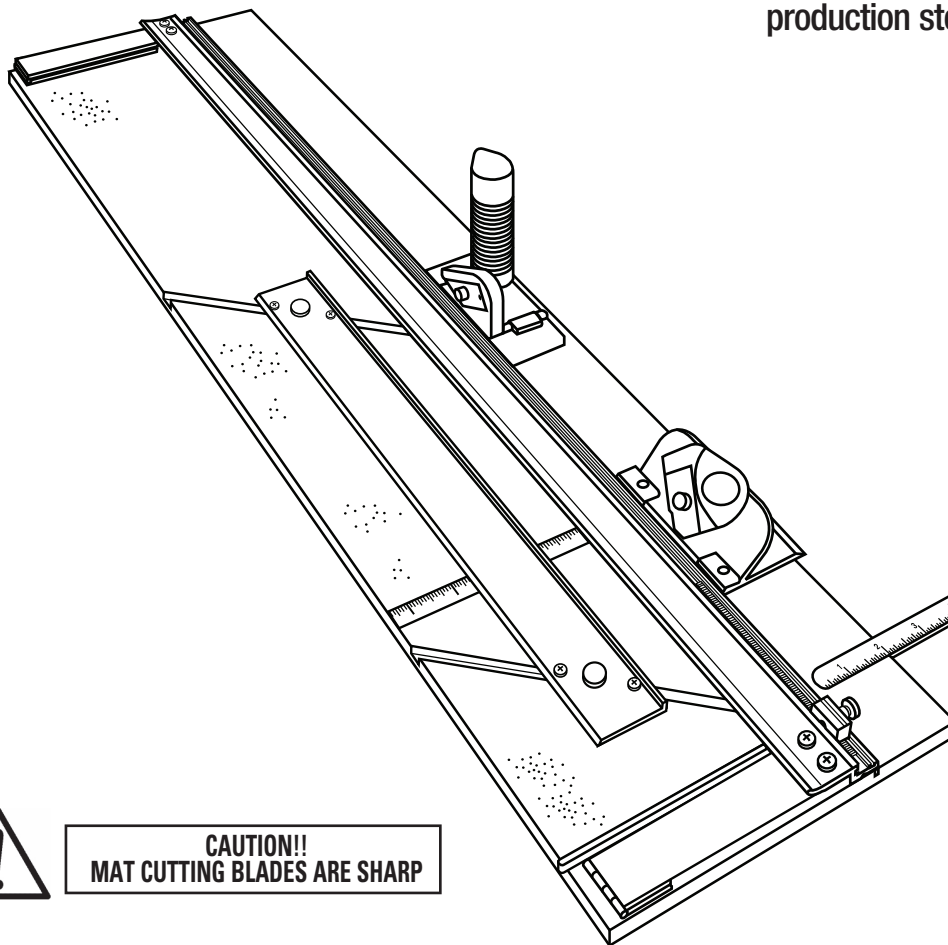


COMPACT ELITE MAT CUTTER

INSTRUCTIONS AND OPERATION MANUAL

**32in (81cm) mat cutting system with bevel & straight cutters,
production stops and 20 in (51 cm) squaring bar.**



**For best results use only
authentic Logan blades**

**Uses Logan Replacement
Blade #270**



**CAUTION!!
MAT CUTTING BLADES ARE SHARP**



LoganGraphic.com

Purchase Date

ID Number (on bottom of board)

Date (on bottom of board)

Congratulations on your purchase of the Logan Compact Elite Mat Cutter.

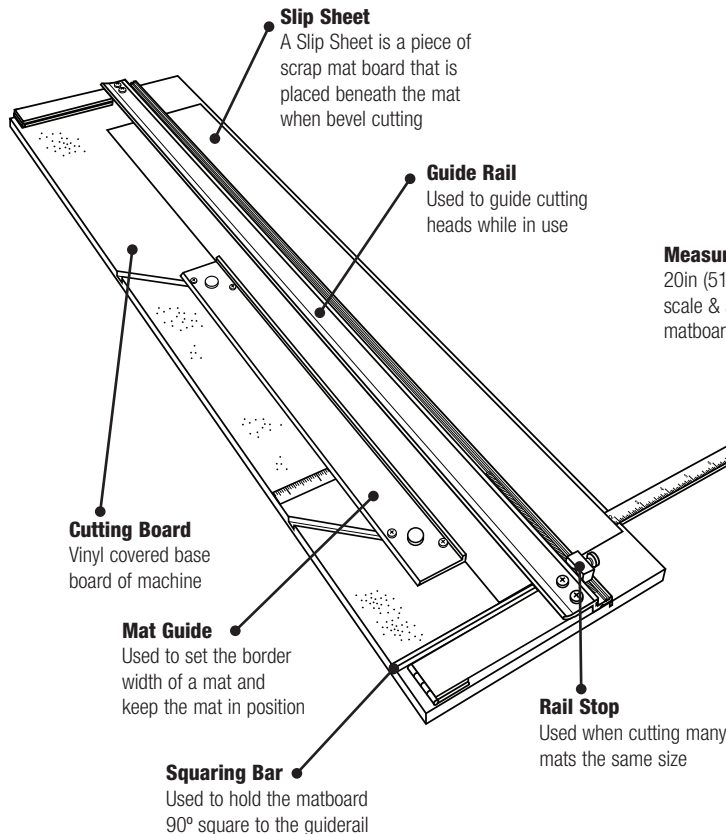
This versatile and dependable tool will prove to be a useful device for those seeking professional results from a low priced, easy to use mat cutter. This instruction manual is written to acquaint you thoroughly with this product. Please take some time to familiarize yourself with it before cutting. You will find that the time taken will be well worth it and you will be cutting quality mats in no time.

CHECK OF CONTENTS:

350-1 Compact Classic - 32" base board with Mat Guide, Straight Cut Measuring Bar, Measuring Bar Stop, Guiderail Stop, Bevel Cutting Head, Straight Cutting Head, Slip Sheet, Instructional DVD and 1 five pack of Logan #270 blades.

IDENTIFICATION OF MACHINE COMPONENTS:

Cutting Board



Bevel Cutting Head

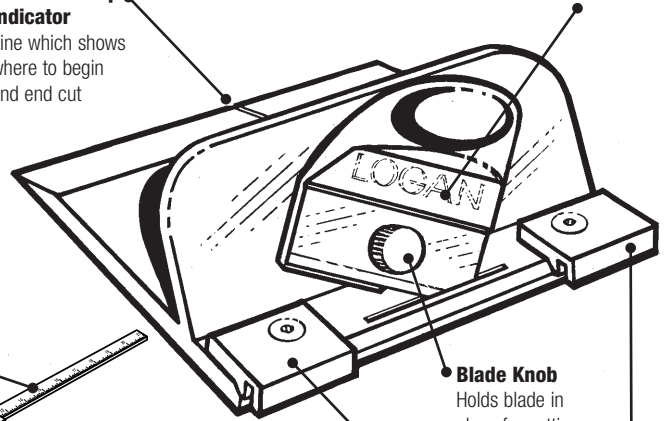
Start and Stop Indicator
Line which shows where to begin and end cut

Blade Holder

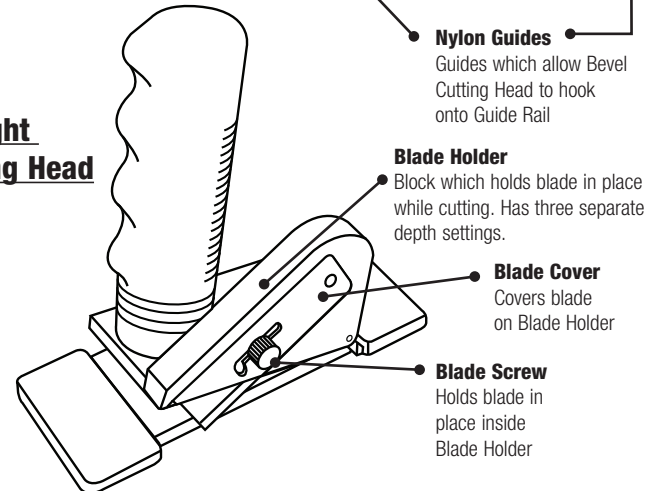
Blade holding device which slides, allowing blade to cut into mat

Measuring Bar

20in (51cm) removeable scale & stop used to cut matboard to size



Straight Cutting Head



Warranty

Logan Graphic Products, Inc. ("Logan") warrants the 350-1 COMPACT ELITE to be free from defects in parts and workmanship for a period of two years from the date of original purchase. Logan warrants that it will either repair or replace, in its sole discretion, any necessary replacement parts found to be defective. Should the product need to be returned to Logan for repair or replacement parts, authorization for any return must come from Logan in writing. Costs of returning the product to Logan, including insurances, shall be borne by the purchaser. Logan shall not be liable for any damages or losses, incidental or consequential, direct or indirect, arising from the use of this product. This warranty extends only to the original purchaser and is not assignable or transferable. This warranty is in lieu of all other warranties, expressed or implied. Be advised that any Logan products purchased as "new" from an unauthorized dealer, such as an online auction site or similar, may be void of their warranty.

Logan Graphic Products, Inc.
1100 Brown Street Wauconda, IL 60084
800/331-6232 847/526-5515

Fig. 1

Orientation

The procedures detailed in the following instructions refer to the right & left sides and top & bottom of the machine as shown (Fig. 1).

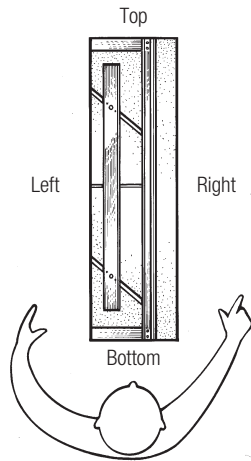


Fig. 2

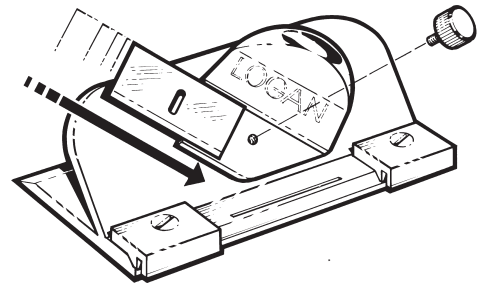


Fig. 3

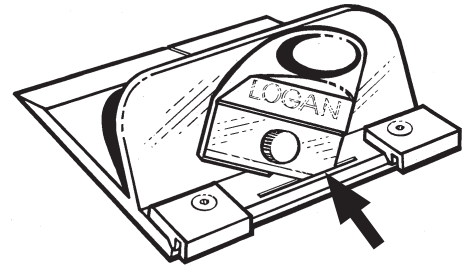


Fig. 4

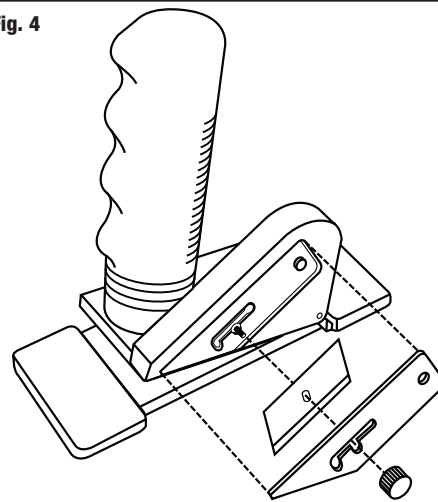
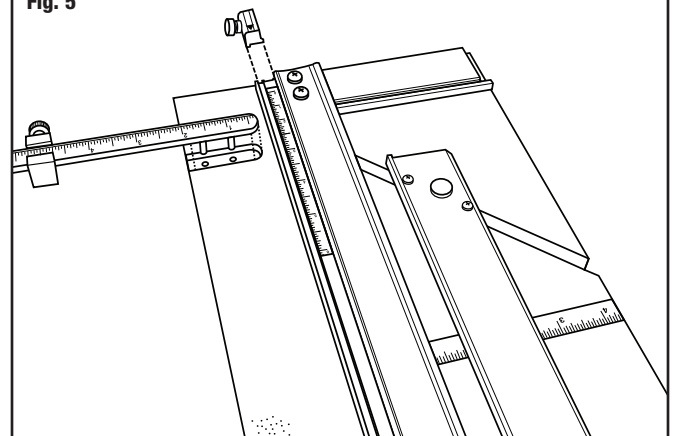


Fig. 5



Blade Installation - Model 302 Bevel Cutter

1. Remove blade knob.
2. Remove one blade from the package of five.

NOTE: Because the blades are packed with a small amount of oil, they may stick together. Be certain that only one blade is being inserted into the blade slot.

3. Place blade onto blade holder, sharp edge down and slide blade until corner of blade tip enters slot and hole in blade lines up with hole in blade holder (Fig. 2) (Fig. 3).
4. Replace blade knob and tighten.

NOTE: Blade holder has a spring that is designed to keep blade safely withdrawn when not in use. It is not designed to pull blade out of mat after cutting.

Blade Installation - Model 701-1 Straight Cutter Elite

1. Remove blade knob and blade cover.
2. Align blade hole over thread. Be sure sharp edge of blade is facing down.
3. Reassemble blade cover and blade knob.

NOTE: Adjust blade to foamboard (fully extended), standard mat board (middle setting) or safety (fully retracted) (Fig. 4).

Measuring Bar & Stop Installation

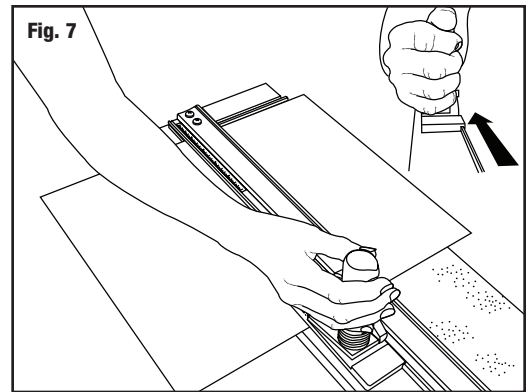
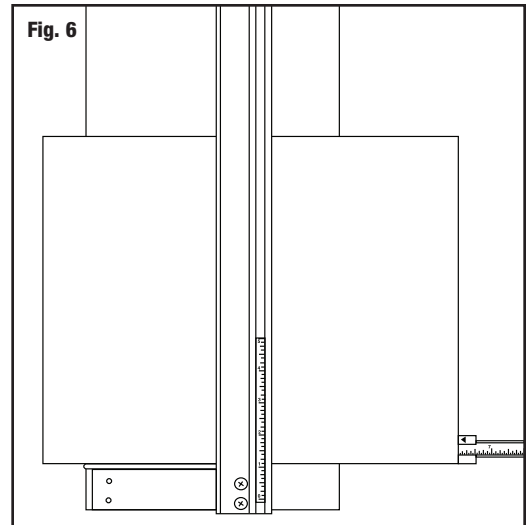
1. Align pin in bottom of measuring bar with hole on bar and press to install (Fig. 5).
2. Slide stop onto guide rail (Fig. 5).

Straight Cutting Board to Size

1. Remove mat guide and slip sheet.
2. Set measuring bar stop to dimension of cut (**Fig. 6**).
3. Place mat color side down under guide rail and against squaring bar stop.
4. Set the proper depth setting on the Straight Cutting Head.
5. Hook the Straight Cutting Head onto the Guide rail past the end of the board to be cut. Grasp the handle as shown in the picture, pivot down and pull the Straight Cutting Head towards you. Keep constant downward pressure on the Straight Cutting Head and the Guide Rail as you make your cut (**Fig. 7**).

CAUTION: Be careful to control the Straight Cutting Head as it breaks through the end of the matboard, as it will tend to “jump” towards you.

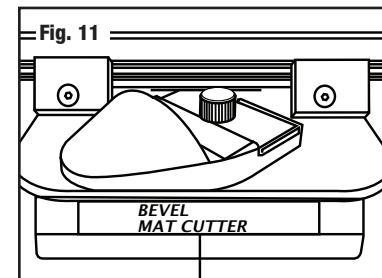
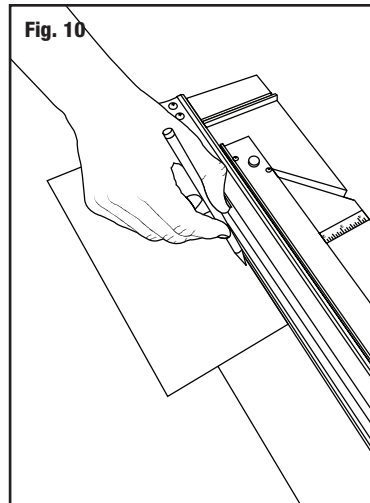
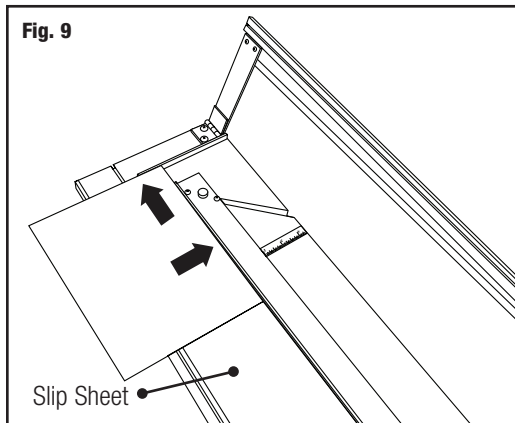
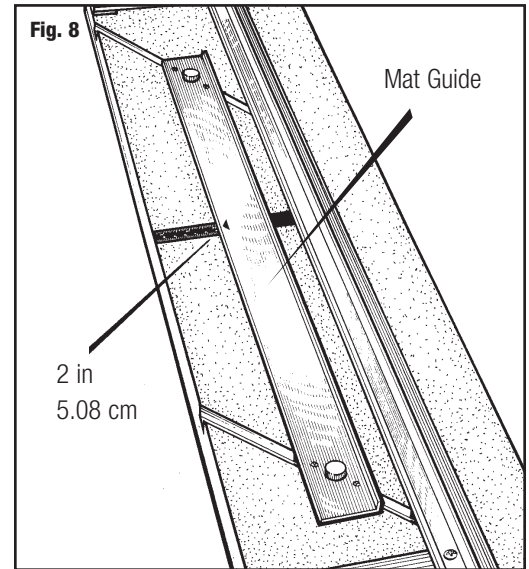
Note: Matboard wider than 32” (81cm) will not fit between the hinges and must be cut by some other means such as Model 500 mat knife or utility knife with a T-square.



Bevel Cutting Mat Openings, Without Rail Stops

EXAMPLE: Cutting a mat with a 2” border.

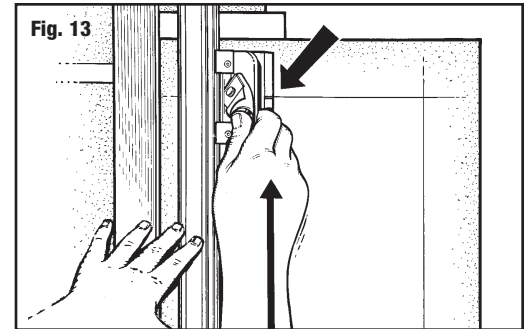
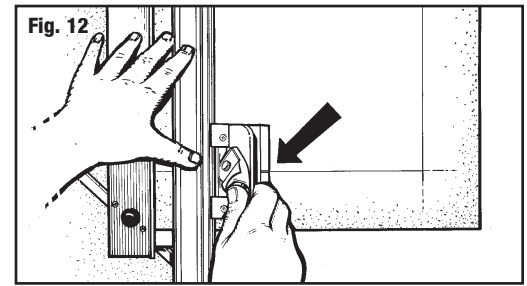
1. To re-install the Mat Guide, loosen the Black Knobs with the raised edge towards the Guide Rail, line up the Mat Guide with the parallel slots. Hold the Mat Guide at either end and evenly drop the Mat Guide into the slots and then tighten the black knobs.
2. Set the Mat Guide to the desired border width. For example, for a 2” border, align the back of the Mat Guide at the 2” mark and tighten the Black Knobs (**Fig. 8**).
3. Make sure the Slip Sheet is in place before bevel cutting. You must use a Slip Sheet. The straight cut slot underneath the Guide Rail is for straight cutting only.
4. Place the mat color side down under the Guide Rail and up against the squaring bar and mat guide (**Fig. 9**).
5. Using a pencil, draw a line down the full length of the back of the matboard. Turn the mat after each marking and repeat this for the remaining three sides (**Fig. 10**).
6. Attach the 302 Bevel Cutter to the Guide Rail by fitting the black nylon guides over the raised edge of the channel.
7. Position the cutter so the start & stop line lines up with the marked line closest to the bottom of the machine (**Fig. 11**).



8. Use your thumb to firmly depress the blade holder all the way down to insert the blade **(Fig. 12)**.
9. With your left hand putting pressure down on the guide rail, slide the bevel cutter forward until the Start and Stop indicator lines up with the top pencil line. **DO NOT GO PAST THE LINE! (Fig. 13)**

NOTE: It is essential to keep even downward pressure on the Blade Holder as you cut.

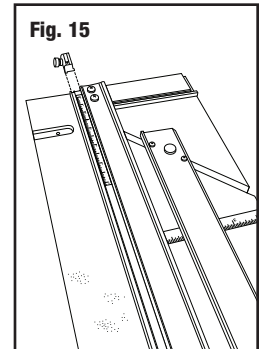
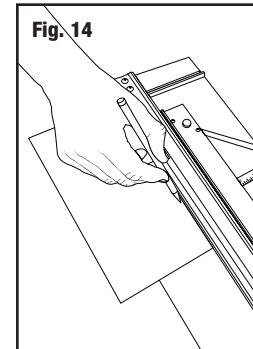
10. Use your thumb to pop the blade holder back out of the matboard, lift the guide rail slightly to turn the mat 1/4 turn and continue cutting the remaining three sides.



Bevel Cutting Mat Openings Using Rail Stop

EXAMPLE: Cutting a mat with a 2” border.

- 1-4. Repeat Steps 1-4 above, under “Bevel Cutting Mat Openings, Without Rail Stops”.
5. Using a pencil, mark a line along the full length of mat board using guide rail as a guide. Turn mat 1/4 turn to right **(Fig. 14)**.
6. Slide rail stop on guide rail and set to desired border size **(Fig. 15)**.
- 7-10. Repeat Steps 7-10 above, under “Bevel Cutting Mat Openings, Without Rail Stops”.

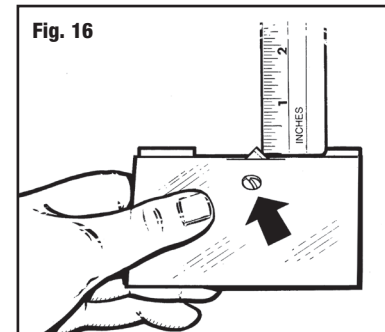


Adjustments

Bevel blade depth adjustment

- Increase depth to increase overcuts - Decrease depth to reduce overcuts
1. Hold the 302 Bevel Cutter upside down in your hand with the blade activated in the cutting position.
 2. Measure the exposed amount with a ruler at the same angle as the blade. For standard thickness mat board (4 ply/1.4mm) only 1/8” of blade should be seen **(Fig. 16)**.
 3. Turn blade depth screw (clockwise) to decrease blade depth and (counterclockwise) to increase depth.

NOTE: Always have blade depth set so that Slip Sheet is only slightly scored.



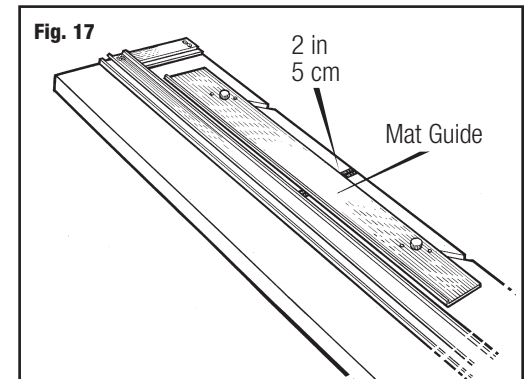
Re-parallel Mat Guide

Tools Needed: Phillips Screwdriver, Ruler

To re-parallel the Mat Guide, first determine that the Mat Guide is out of parallel by doing a parallel test.

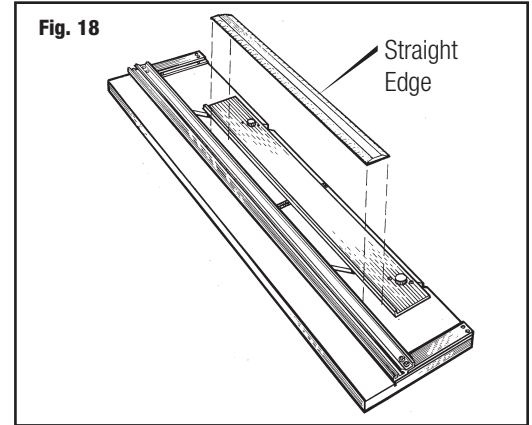
Parallel Test:

1. Lock the Mat Guide at the 2” mark on the scale **(Fig. 17)**.
2. Place a scrap piece of matboard under the Guide Rail and up against the Mat Guide at the far end of the machine.
3. Using a pencil, mark a line across the matboard.
4. Slide the mat all the way down near where you are standing keeping under the Guide Rail.
5. Mark another line across the matboard.
6. The piece of matboard should now appear to only have one single line across it. If the two lines drawn do not line up with each other, the Mat Guide needs to be re-parallelled.



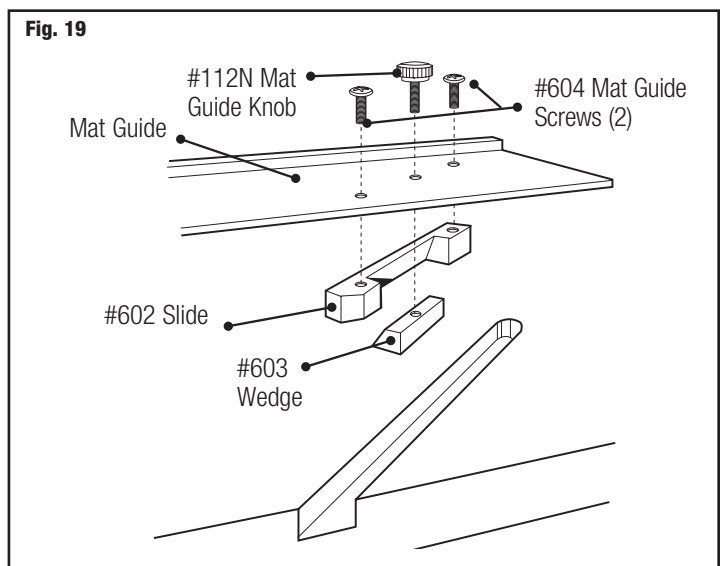
To Re-parallel:

1. Release the Mat Guide.
2. Use a Phillips head screwdriver to loosen the four screws on either side of the black knobs one turn.
3. Place a ruler or straight edge between the Mat Guide and the Guide Rail (**Fig. 18**).
4. Slide the Mat Guide against the straight edge and the Guide Rail. Make sure both the Mat Guide and the Guide Rail are making solid contact on both sides of the straight edge.
5. Re-tighten the Black Knobs first.
6. Then re-tighten the four screws. Do another parallel test to ensure that the Mat Guide is now parallel.



Mat Guide Assembly

If mat guide wedge becomes unscrewed from mat guide, reassemble making sure angle of wedge is aligned correctly (**Fig. 19**).



Resquaring the Guiderail

1. Remove mat guide (Fig. 20).
2. Loosen three (3) guiderail screws one full turn (Fig. 21).
3. Position carpenter square up against squaring bar and under guiderail (Fig. 22).
4. Hold carpenter square firmly against squaring bar & readjust guiderail parallel to carpenter square edge (Fig 23).
5. Retighten guiderail, making sure guiderail stays parallel to carpenter square edge.
6. Replace mat guide & reparallel mat guide.

Fig. 20

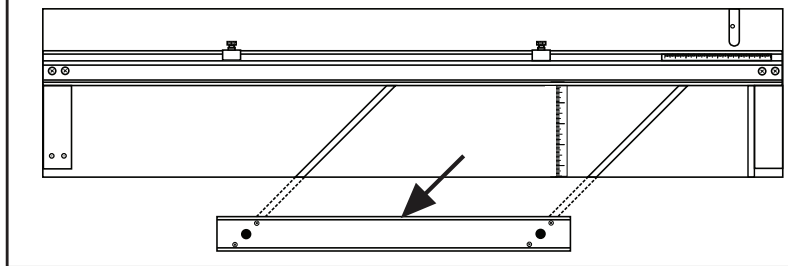


Fig. 21

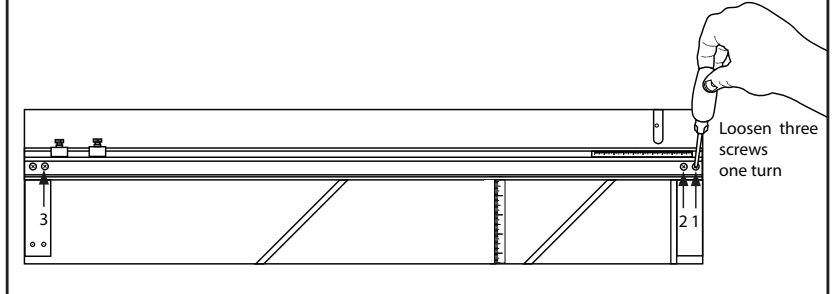


Fig. 22

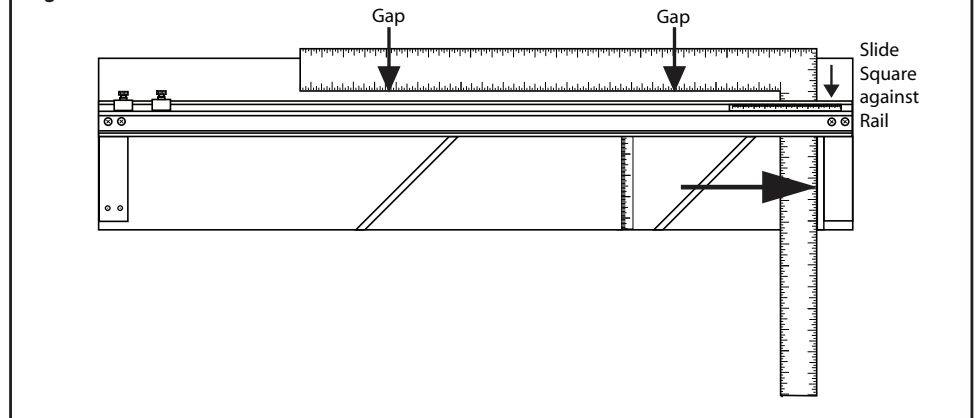
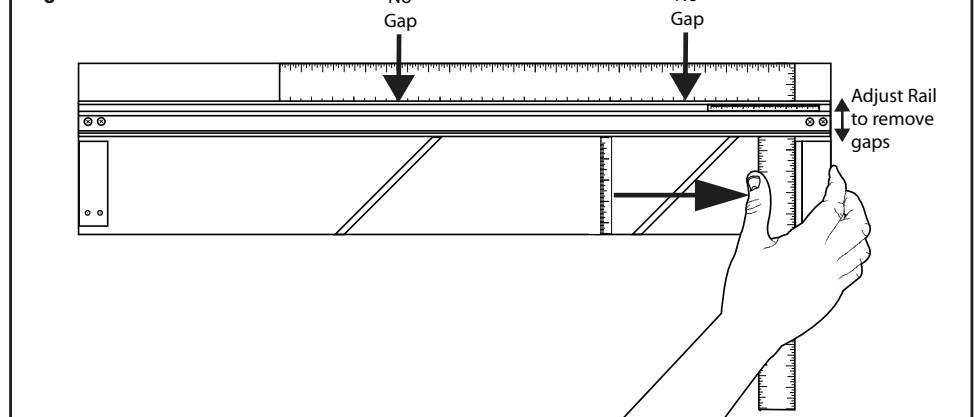


Fig. 23



Helpful Hints

Avoid Board Warp - Always store your Mat Cutter flat.

Clean Guide Rail - Only use evaporative solvents such as lighter fluid or alcohol. Do not lubricate the Guide Rail: lubricants will soften the nylon guides and cause them to bind on guide rail.

Cutting a Border Less Than 3/4" - Mark mat (back side) using a pencil and do not use Mat Guide.

Blade Life - Use only authentic Logan blades to ensure best results. No two blades last the same amount of time. Size of mats and differences in mat board effect blade life. It is best practice to use a new blade whenever starting a new project.

Problem	Solution
Hooks or Curves	Blade depth set too deep. Blade is dull. Blade is catching on previous cut in Slip Sheet. Uneven pressure being applied to Cutting Head during cut.
Overcut on Top Cut	Blade depth set too deep.
Overcut on Bottom Cut	If too small - align start and stop indicator slightly below pencil line and cut. If too big - align start and stop indicator slightly above pencil line and cut.
Mat Borders Uneven	Mat Guide not parallel.
Ragged Bevel Cut	Cutting without a Slip Sheet. Slip Sheet is worn out. Not changing the blade often enough.
Not Cutting Through	Machine not on a level surface. Not using a Slip Sheet as least as long as the mat you are cutting. Blade depth set too shallow.